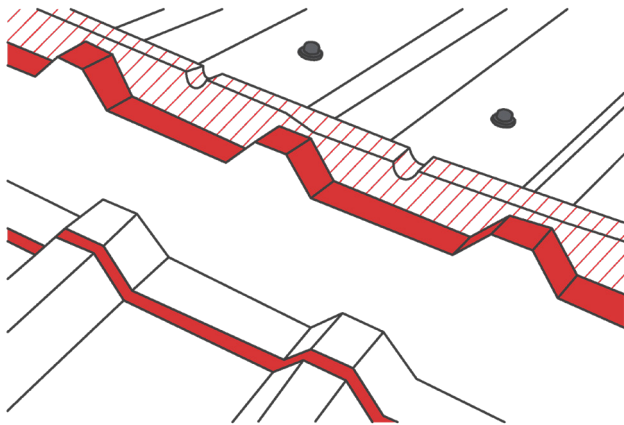


At Premseal

We use industry-leading technology to press and waterjet cut bespoke fillers precisely and accurately for eaves, ridges, and other roof intersections, ensuring your build has the very best possible seal. In order to provide precise measurements, here are a few terms which may help you understand these products.



Profiles

Almost every major roofing and cladding profile manufactured within the UK is held on our database, with the corresponding profiled fillers being produced and distributed worldwide. We can identify the correct filler using the manufacturer's name or reference number and produce the right shape and size of filler.

Flute

The choice between a large or small flute depends on which side of the profiled sheet requires sealing. (See Fig.1).

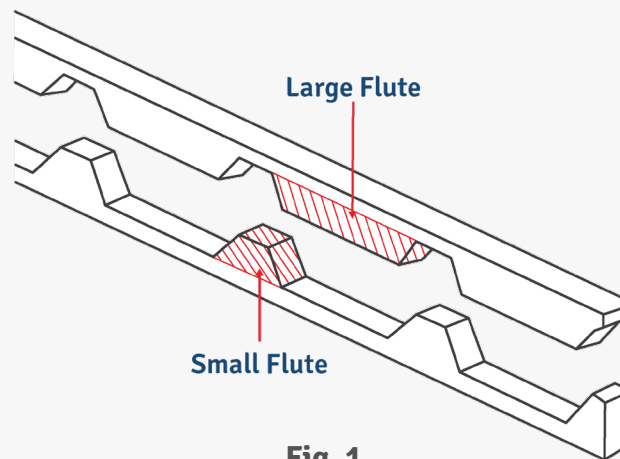
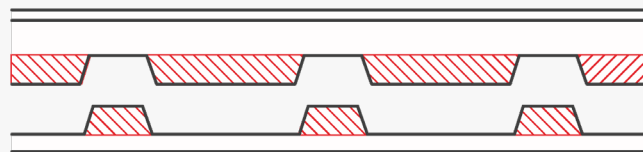


Fig. 1

Large

Large flutes are typically used at the ridge to seal the void between the ridge cap and profiled sheet or panel.

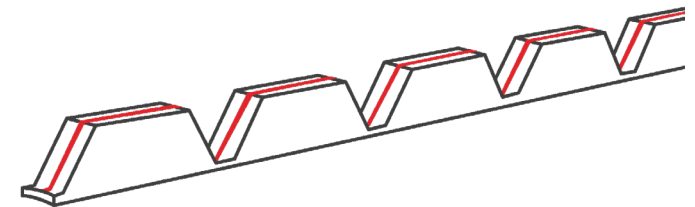


Small

The small flute is typically used at the eaves to seal under the profile sheet or panel.

Self-Adhesive

We can provide fillers with our high-quality butyl sealants applied to the profile, base or both, enabling a superior seal. However the use of our Premseal BR bedding sealant is widely recognised as the alternative method to aid the compressive seal.



Base

Large and Small flute fillers are manufactured with a 6mm base as standard. This can be changed by request. (See Fig.2)

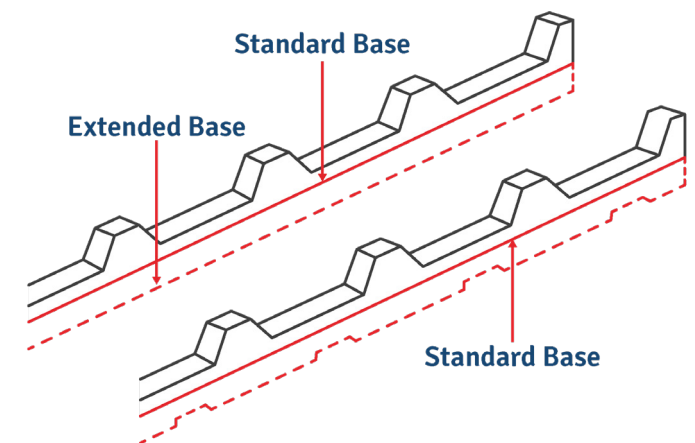


Fig. 2

Filler Angle

It's important that fillers for roof hips and valleys are cut to the precise angle and length. This is determined by both the angle on plan and the roof pitch which is used to calculate the true angle. It is also essential that we determine whether a left- or right-handed filler is required. (See Fig.3).

- Standard 1000mm cover width fillers below 33.5° are sent full size.
- Standard 1000mm Cover width fillers between 33.5° and 65° are sent in 2 pieces.
- Standard 1000mm Cover width fillers above 65° will be split into 3 pieces.

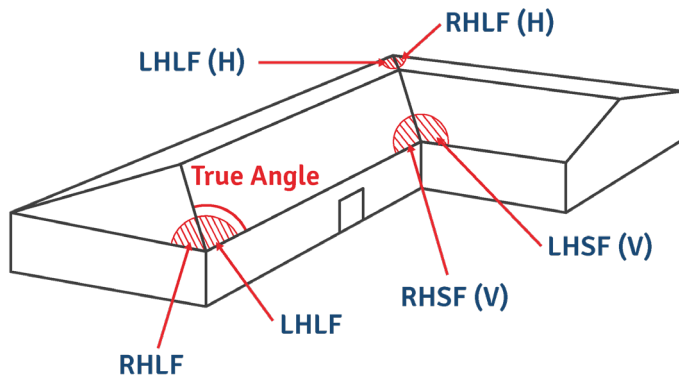


Fig. 3

- LHLF - Left Hand Large Flute
- RHLF - Right Hand Large Flute
- LHSF - Left Hand Small Flute
- RHSF - Right Hand Small Flute
- (H) - Hip (under capping)
- (V) - Valley (under sheet)

Ventilated Fillers

There are several ways in which we can ventilate fillers:

Trimmed Crown – Small Flute

This allows any condensation formed underneath the sheet to run down over the filler.

Ventilation Channels – Large Flute

By cutting nicks in the base, we can allow any condensation that forms on the ridge flashing to run down over the filler.

Mesh Inserts – Large & Small Flutes

19mm mesh inserts within every corrugation will increase airflow whilst preventing insects from entering the void. (See Fig.4)

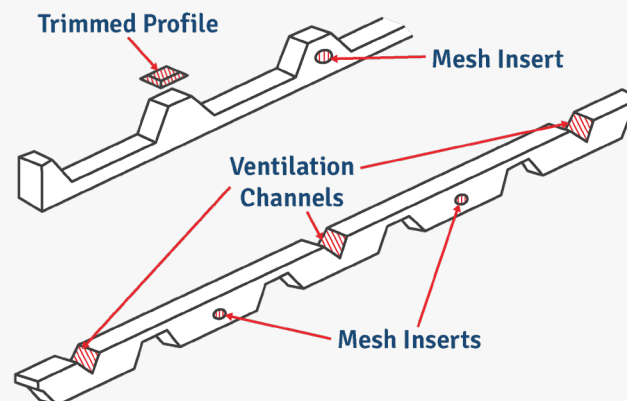
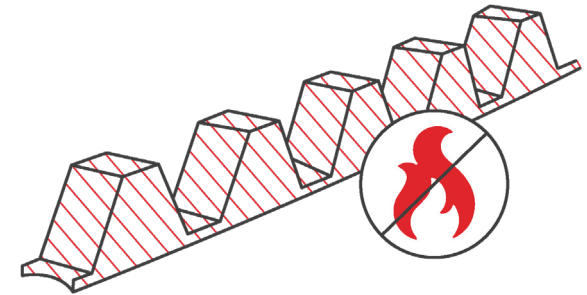


Fig. 4

Fire Retardant Fillers

Our H45FRB Fire-Retardant Polyethylene material is available for all profiles. Please refer to our technical data sheet.



Fire Stop Blocks

High density mineral wool fire stop blocks for apertures in buildings, especially the flutes of metal profiles.

Premier Sealant Systems Ltd

Mercia Way, Foxhills Industrial Park,
Scunthorpe, DN15 8RE

Tel. 01724 864100 | Fax. 01724 860116

sales@premseal.co.uk

Visit our website to enquire and
find out more about our products;

www.premseal.co.uk